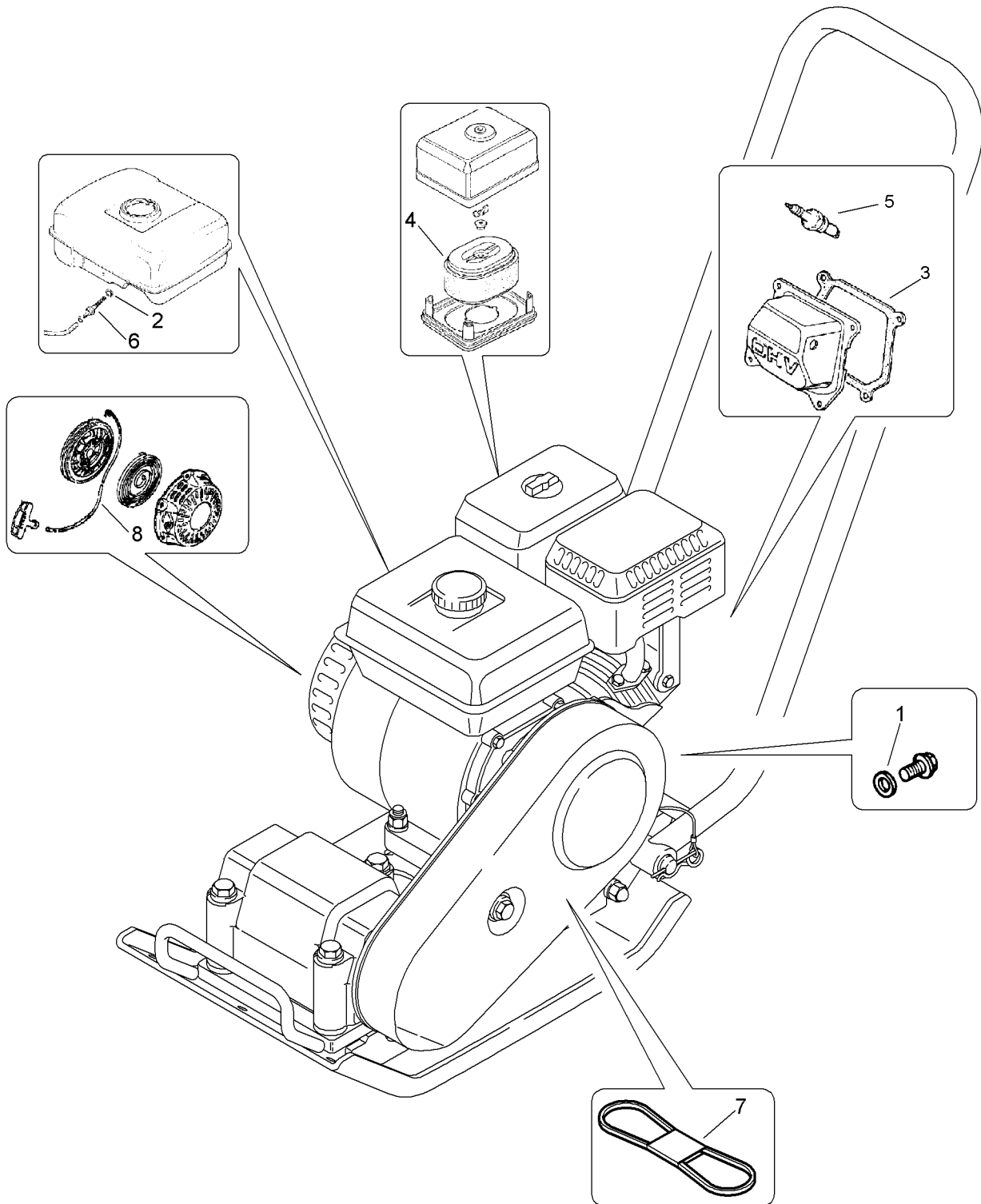


Service Kit

BP 8/34

775 220 61



SW10-Service kit
SW10-Service Kit
SW10-Kit de service
SW10-Kit de servicio

194.08

Page 1 / 1
Seite 1 / 1

77522061 1001 1

| Pos. | Part no. | Qty. | Description | Benennung | Designation |
|------|----------|-------|--------------------|----------------------|-------------------------|
| Pos. | Teilenr. | Menge | | | |
| Pos. | No.piece | Qte. | | | |
| 0 | 77522061 | 1 | SW10-Service kit | SW10-Service Kit | SW10-Kit de service |
| 1 | 05747129 | 1 | Gasket | Dichtung | Joint |
| 2 | 05747188 | 1 | Loop ring | Runddichtring | Joint torique |
| 3 | 05747125 | 1 | Valve cover gasket | Ventildeckeldichtung | Joint de couv.de clapet |
| 4 | 05747116 | 1 | Element,washable | Element,auswaschbar | Élément,lavable |
| 5 | 05747282 | 1 | Spark plug | Zündkerze | Bougie |
| 6 | 05747161 | 1 | Filter,fuel | Filter,Kraftstoff | Filtre,carburant |
| 7 | 06312000 | 1 | V-belt | Keilriemen | Courroie trapezoïdale |
| 8 | 05747296 | 1 | Starter rope | Starterseil | Cordon de lancateur |

Betriebsstofftabelle / Table of fuels and lubricants /

Tableau des lubrifiants et carburants

| Baugruppe Assembly Ensemble | Betriebsstoff Fuel or lubricant Lubrifiant/Carburant | | Füllmenge ca. Quantity approx. Quantité env. |
|---|--|--|---|
| | Sommer Summer Été | Winter Winter Hiver | ACHTUNG Füllmarke beachten! Attention Observe the level marks! Attention Observer les repères des jauges! |
| Motor Engine Moteur | Motoröl API CD/SE/SF Engine oil API CD/SE/SF Huile moteur API CD/SE/SF | | 0,6 l (0.16 gal US) |
| | SAE 10W/40 (-20 °C -- +30 °C) (-4 °F -- +86 °F) | | |
| | SAE 15W/40 (-10 °C -- +40 °C) (+14 °F -- +104 °F) | | |
| | SAE 30 (+5 °C -- +30 °C) (+41 °F -- +86 °F) | SAE 10W (-30 °C -- -5 °C) (-22 °F -- +23 °F) | |
| | SAE 40 (+25 °C -- +40 °C) (+77 °F -- +104 °F) | SAE 20W (-10 °C -- +10°C) (+14°F -- +50°F) | |
| Erregerwellengehäuse Exciter shaft housing Excitatrice logement de l'arbre | wie Motoröl as engine oil Identique à l'huile moteur | | 0,25 l (0.07 gal US) |